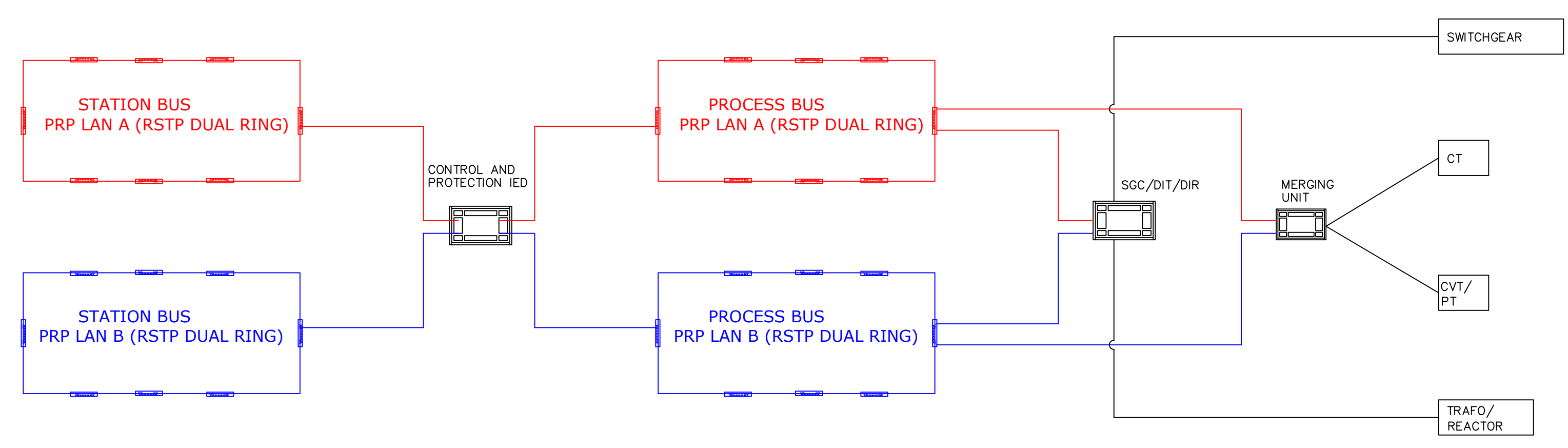
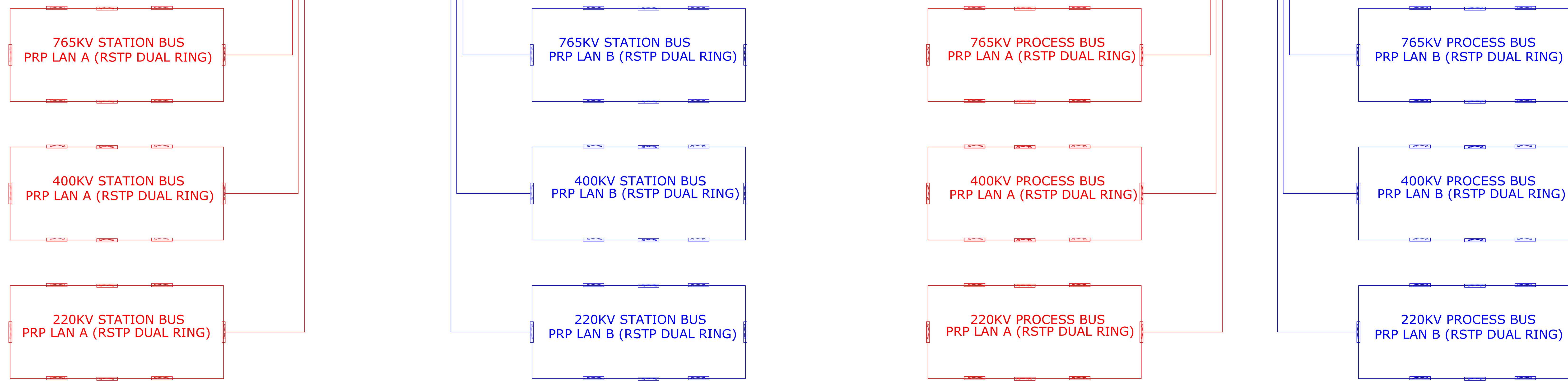
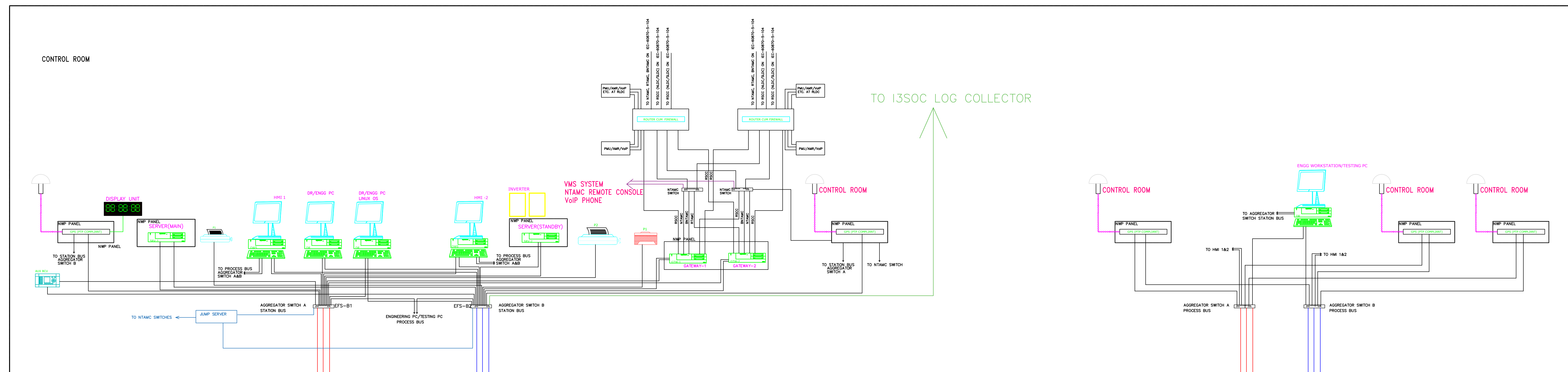


ANNEXURE_SAS - I

SAS ARCHITECTURE FOR PROCESS BUS BASED SUBSTATION



TYPICAL CONNECTION ARRANGEMENT FOR CONTROL AND PROTECTION IED, SWITCHGEAR CONTROLLER (SGC) IED, DIGITAL INTERFACE FOR TRANSFORMER/REACTOR (DIT/DIR) AND MERGING UNIT

FOR TENDER PURPOSE ONLY

- NOTES:
 1. ARCHITECTURE DRAWING FOR PROCESS BUS BASED SAS, SHOWN HERE IS INDICATIVE AND SHALL BE FINALISED DURING DETAILED ENGINEERING